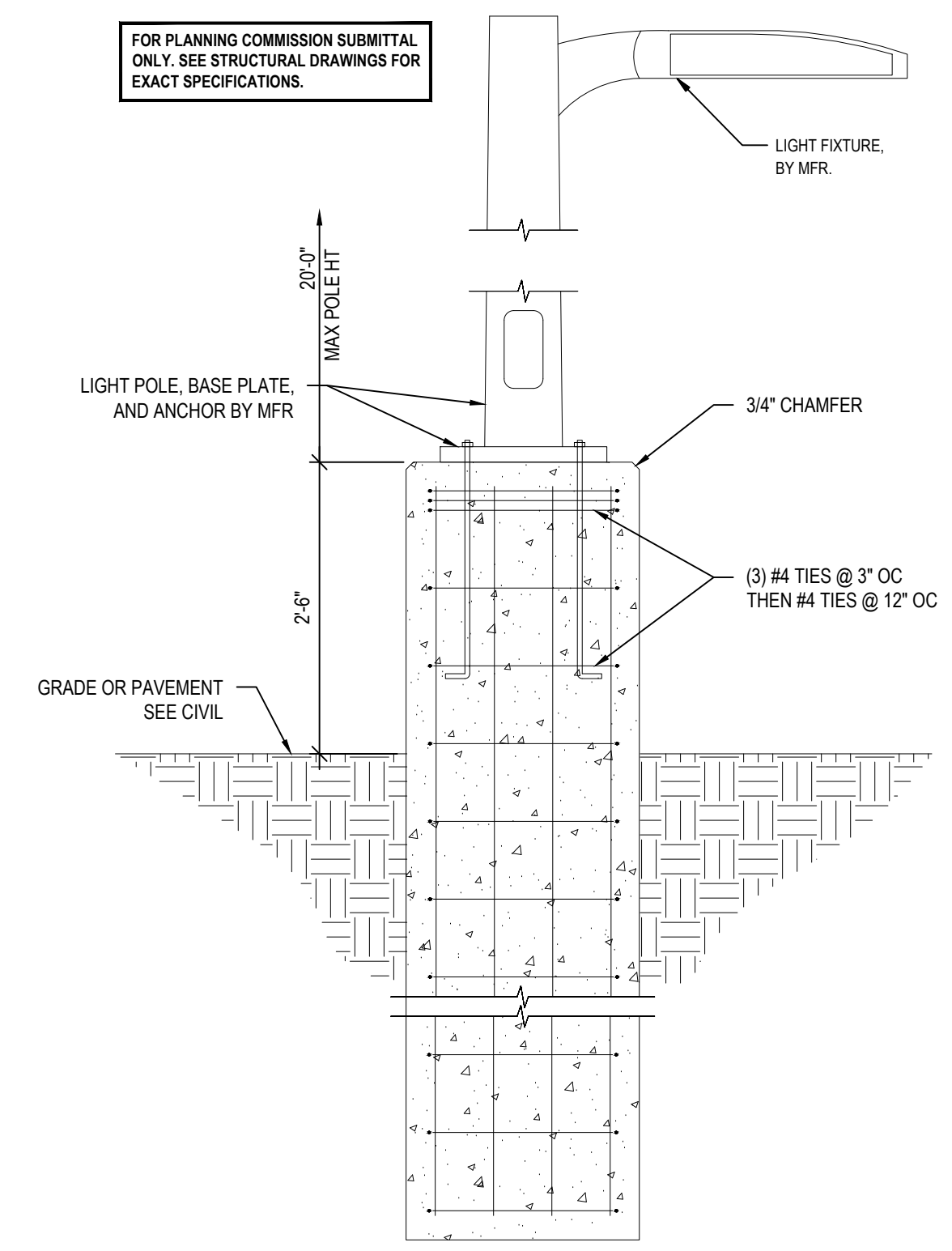


PHOTOMETRIC SITE PLAN
SCALE 1" = 20'-0"

EXTERIOR LIGHTING FIXTURE SCHEDULE				
TYPE	LAMP	WATTS	DESCRIPTION	CATALOG NO.
SP1	LED	102	LED POLE MOUNTED FIXTURE WITH TYPE IV MEDIUM DISTRIBUTION & DARK BRONZE FINISH. MOUNTED ON A 20' TALL SQUARE STRAIGHT STEEL POLE.	LITHONIA# DSX1-LED-P3-30K-T4M-MVOLT-SPA-DDBXD POLE - LITHONIA# SSS-20-5G-DM19AS-DDBXD
SP2	LED	102	LED POLE MOUNTED FIXTURE WITH TYPE V MEDIUM DISTRIBUTION & DARK BRONZE FINISH. MOUNTED ON A 20' TALL SQUARE STRAIGHT STEEL POLE.	LITHONIA# DSX1-LED-P3-30K-T5M-MVOLT-SPA-DDBXD POLE - LITHONIA# SSS-20-5G-DM19AS-DDBXD

STATISTICS (VALUES ARE MAINTAINED)					
Description	Avg	Max	Min	Max/Min	Avg/Min
PARKING FIELD	2.0 fc	3.4 fc	0.9 fc	3.8:1	2.2:1
PROPERTY LINE	0.1 fc	1.6 fc	0.0 fc	N/A	N/A



1 TYPICAL LIGHT POLE BASE DETAIL
SCALE: 3/4"=1'-0"



STORE:
RAISING CANE'S RESTAURANT
494 LINCOLN ST.
WORCESTER, MA 01605
PROTOTYPE: P6-V-Av
SCHEME: B
RESTAURANT #RC1233



THIS DOCUMENT CONTAINS INFORMATION PROPRIETARY TO ADA ARCHITECTS, INC. UNAUTHORIZED USE OF THESE DOCUMENTS IS EXPRESSLY PROHIBITED UNLESS AGREED UPON IN WRITING.

ENGINEER INFORMATION:

SHEET REVISIONS		
#	DATE	TYPE
1		
2		
3		
4		
5		
6		
7		
8		
9		
10		

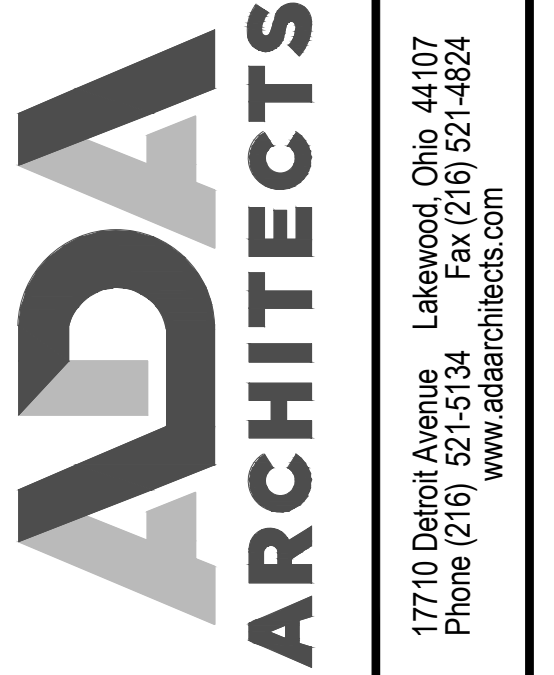
PHOTOMETRIC SITE PLAN

DATE: 10/1/2024
JOB NO. 24164

PH1.0
SHEET NO.



RAISING CANE'S RESTAURANT 494 LINCOLN ST. WORCESTER, MA 01605



THIS DOCUMENT CONTAINS INFORMATION PROPRIETARY TO ADA ARCHITECTS, INC.

ENGINEER INFORMATION:

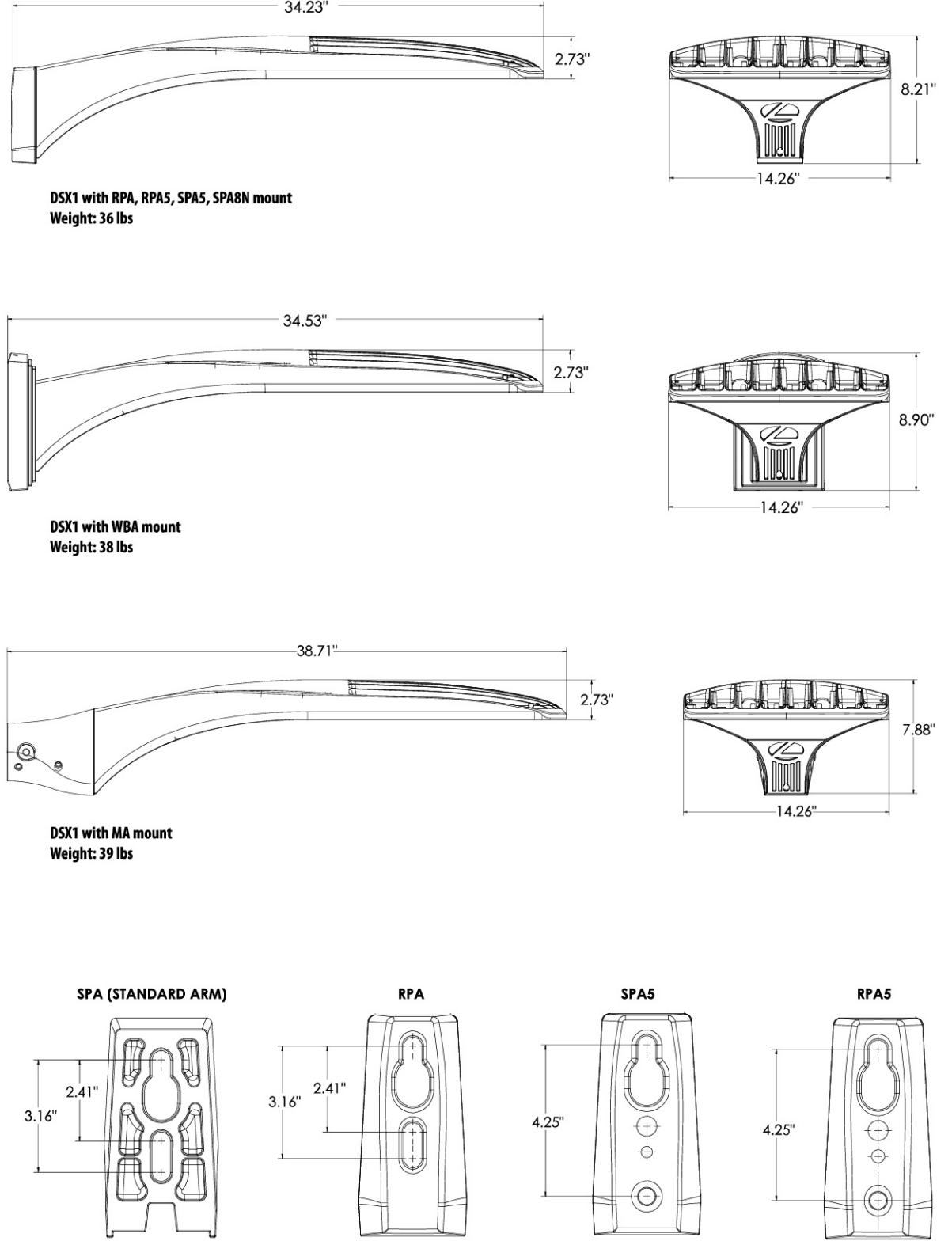
Table with 3 columns: #, DATE, TYPE. Rows 1-10.

EXTERIOR LIGHT FIXTURE CUT SHEETS

DATE: 10/1/2024 JOB NO. 24164

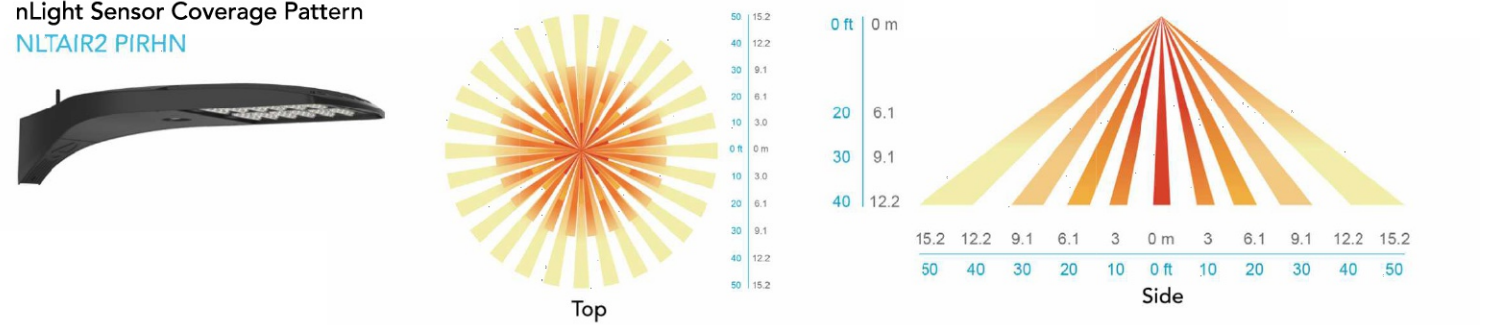
PH1.2 SHEET NO.

Dimensions



LITHONIA LIGHTING One Lithonia Way • Conyers, Georgia 30012 • Phone: 1-800-705-SERV (7378) • www.lithonia.com

nLight Control - Sensor Coverage and Settings



FEATURES & SPECIFICATIONS

INTENDED USE The sleek design of the D-Series Size 1 reflects the embedded high performance LED technology... INSTALLATION Integral mounting arm allows for fast mounting using Lithonia standard #8 drilling...

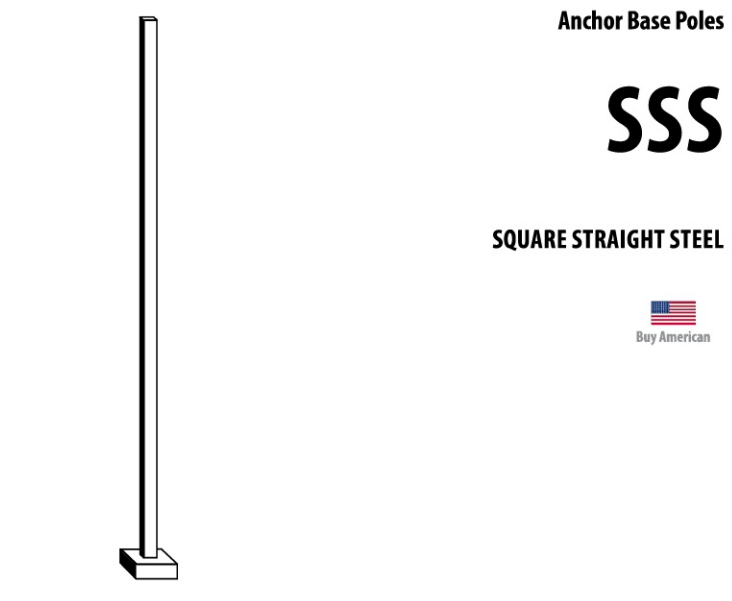
LITHONIA LIGHTING One Lithonia Way • Conyers, Georgia 30012 • Phone: 1-800-705-SERV (7378) • www.lithonia.com



FEATURES & SPECIFICATIONS

INTENDED USE — These specifications are for USA standards only. Square Straight Steel is a general purpose light pole for up to 39-foot mounting heights... CONSTRUCTION — Pole shaft: The pole shaft is of uniform dimension and wall thickness...

Table with 2 columns: Catalog Number, Fixture Type SP1 & SP2 Pole. Notes section.



LITHONIA LIGHTING COMMERCIAL OUTDOOR

SSS Square Straight Steel Poles

ORDERING INFORMATION Lead times will vary depending on options selected. Consult with your sales representative.

Table with columns: SSS Series, 20'-0" Pole, 5G Mounting, DM19AS Mounting, Options, DDBXD Finish.

- NOTE: 1. Handhole covers (HHC), full base covers (FBC) and top caps (TC) shipped separately. No need to call out in nomenclature. 2. Wall thickness will be sighted with a "C" (1/16 gauge) or a "D" (1/8 gauge) in nomenclature...

Accessories: Order as separate catalog number. PL D120 Plugs for ESK drilling, PL D76 Plugs for DM19AS drilling.

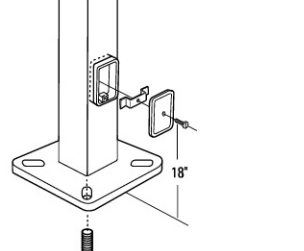
LITHONIA LIGHTING COMMERCIAL OUTDOOR One Lithonia Way Conyers, GA 30012 Phone: 800-705-SERV (7378) www.lithonia.com

SSS Square Straight Steel Poles

TECHNICAL INFORMATION — EPA (ft²) with 1.3 gust

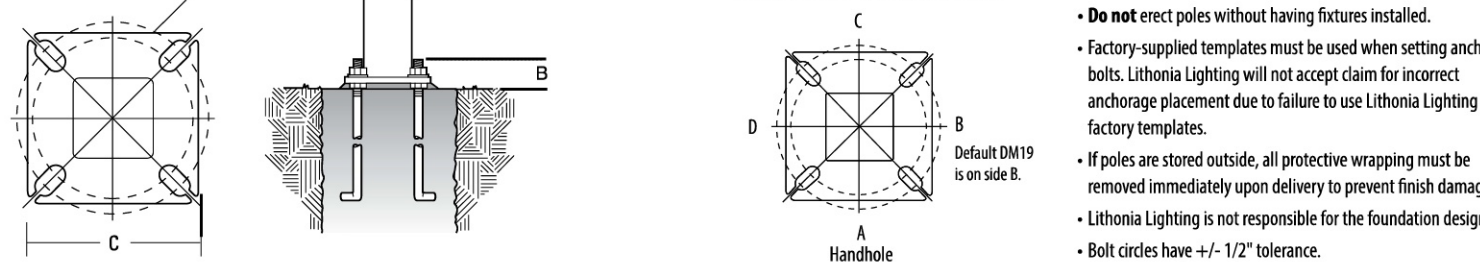
Table with columns: Catalog Number, Nominal Shaft Length, Pole Shaft Size, Wall thickness, Gauge, 80 MPH Max weight, 90 MPH Max weight, 100 MPH Max weight, Bolt circle, Bolt size, Approximate ship weight.

BASE DETAIL



POLE DATA table with columns: Shaft base size, Bolt circle A, Bolt projection B, Base square C, Base plate thickness, Template description, Anchor bolt description, Anchor bolt and template description.

HANDHOLE ORIENTATION



IMPORTANT INSTALLATION NOTES: Do not erect poles without having fixtures installed. Factory-supplied templates must be used when setting anchor bolts.

LITHONIA LIGHTING COMMERCIAL OUTDOOR One Lithonia Way Conyers, GA 30012 Phone: 800-705-SERV (7378) www.lithonia.com